

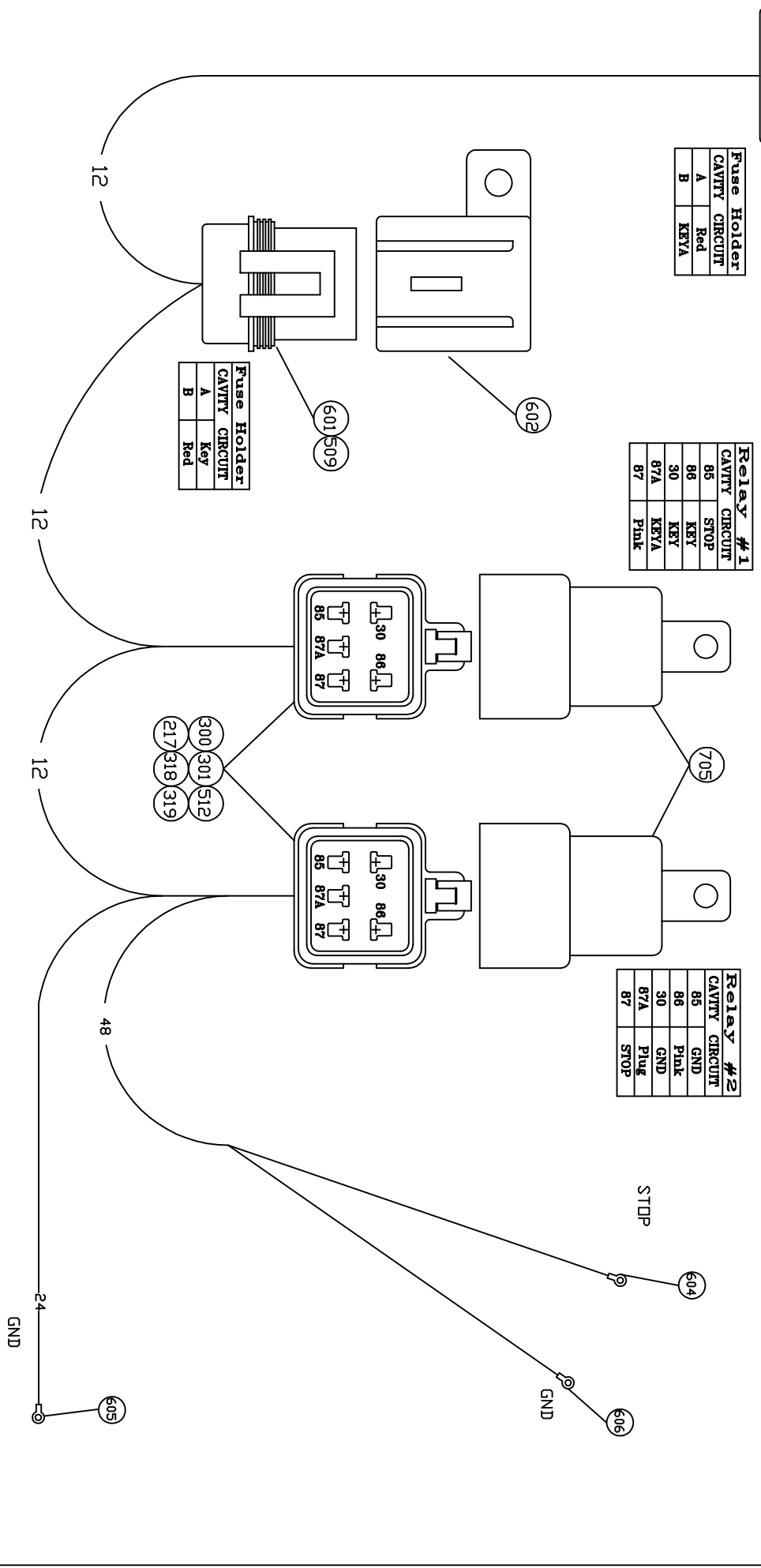
NOTE:

All Circuits to be 14 AWG GXL  
Circuit Labeling Required on STDP and GND Circuits Only  
KEY and KEYA are Red in Color  
STDP and GND are Black in Color

No Loom Necessary, However Harness to Lay Out  
as Shown. Use Tape or Tie Straps as Needed.

REVISIONS

REV	DATE	CHANGE	BY	ER#
0	8/6/01	Released for Prototype	EAS	R01257
1	1/8/02	Released for Production	EAS/JED	R02029



Fuse Holder  
CAVITY CIRCUIT

A	Red
B	KEYA

Relay #1  
CAVITY CIRCUIT

85	STOP
86	KEY
30	KEY
87A	KEYA
87	Pink

Relay #2  
CAVITY CIRCUIT

85	GND
86	Pink
30	GND
87A	Plug
87	STOP

Fuse Holder  
CAVITY CIRCUIT

A	Key
B	Red

NOTES:  
1. ALL Joints ARE TO BE SOLDERED  
AND SHRINK WRAPPED  
2. WIRE TO BE GXL  
3. ALL MEASUREMENTS ARE TO BACK OF  
CONNECTOR OR CENTER OF JOINT  
4. ALL UNUSED CONNECTOR PORTS  
TO HAVE CAVITY PLUGS

DIMENSIONAL TOLERANCES

.X = ±.1  
.XX = ±.05  
.XXX = ±.005  
ANGLES = ±1°

DD NOT SCALE THIS DRAWING

THIS DRAWING/DATA FILE (AND THE  
INFORMATION SHOWN THEREIN) IS  
CONFIDENTIAL AND PROPRIETARY AND SHALL  
NOT BE USED, DISCLOSED TO OTHERS,  
OR REPRODUCED BY ANY MEANS IN HARD  
COPY FORM OR IN MACHINE READABLE FILES  
WITHOUT WRITTEN CONSENT OF CUMMINS  
MICHIGAN INC.

REF. DRAWING NO.	MATERIAL
RELEASE PHASE	ALL DIMENSIONS: INCH [MILLIMETERS]

CUMMINS POWER PRODUCTS		NDVI, MICHIGAN	
DRAWN BY	DATE	PART NAME/REVISION	SHEET 1 OF 1
EAS	8/6/01	Harness, Emerg. Stop	DRAWING NO.
CHKD	DATE		90000163
App'd	DATE	SCALE: NTS	